



YAMAHA RK X1

Remote Control Transmitter

Emetteur de télécommande

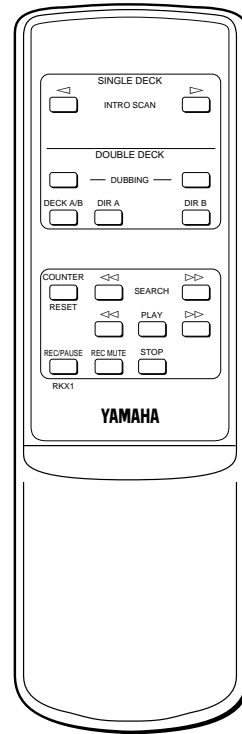
Fernbedienung

Telecomando

Mando a distancia

Afstandsbediening

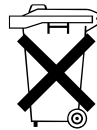
Fjärrkontrollsändare



OWNER'S MANUAL
MODE D'EMPLOI
BEDIENUNGSANLEITUNG
MANUALE DELL'UTENTE
MANUAL DE INSTRUCCIONES
GEBRUIKSAANWIJZING
BRUKSANVISNING

Allen klanten in Nederland

Bij dit product zijn
batterijen geleverd.
Wanneer deze leeg
zijn, moet u ze niet
weggoien maar
inleveren als KCA.



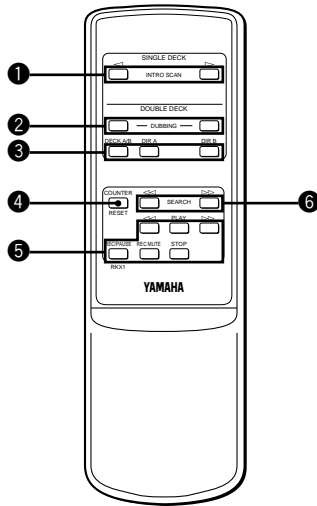
YAMAHA CORPORATION

YAMAHA ELECTRONICS CORPORATION, USA 6660 ORANGETHORPE AVE., BUENA PARK, CALIF. 90620, U.S.A.
YAMAHA CANADA MUSIC LTD. 135 MILNER AVE., SCARBOROUGH, ONTARIO M1S 3R1, CANADA
YAMAHA ELECTRONIK EUROPA G.m.b.H. SIEMENSSTR. 22-34, 25462 RELLINGEN, BEI HAMBURG, F.R. OF GERMANY
YAMAHA ELECTRONIQUE FRANCE S.A. RUE AMBROISE CROIZAT BP70 CROISSY-BEAUBOURG 77312 MARNE-LA-VALLÉE CEDEX02, FRANCE
YAMAHA ELECTRONICS (UK) LTD. YAMAHA HOUSE, 200 RICKMANSWORTH ROAD WATFORD, HERTS WD1 7JS, ENGLAND
YAMAHA SCANDINAVIA A.B. J A WETTERGRENS GATA 1, BOX 30053, 400 43 VÄSTRA FRÖLUNDA, SWEDEN
YAMAHA MUSIC AUSTRALIA PTY, LTD. 17-33 MARKET ST., SOUTH MELBOURNE, 3205 VIC., AUSTRALIA

Thank you for purchasing the Yamaha RKX1 Remote Control System.
 With the RKX1, YAMAHA cassette decks designed for remote control compatibility can be operated.

Function of Controls

The keys which have the same names and marks are identical to the functions with the buttons on the cassette deck. However, refer to the following description for the exceptional use.



1 INTRO SCAN (◀▶) keys (For Single Cassette Deck only)

These keys have the same function as the buttons on the deck.

2 DUBBING keys (For Double Cassette Deck only)

Press these keys at the same time to dub the tape at normal speed. These keys are not used for high speed dubbing.

3 DECK A/B selector, DIR A/DIR B keys (For Double Cassette Deck only)

Each time the DECK A/B selector key is pressed, the operation changes between DECK A and B alternately. Each time the DIR (Direction) A key is pressed, the tape running direction of DECK A changes. Each time the DIR B key is pressed, the tape running direction of DECK B changes.

* DIR A button can also be used as DIRECTION button for single reverse deck.

4 COUNTER RESET key

This key has the same function as the button on the deck. This key functions only for electronic tape counters.

5 Main operation keys

- ◀◀ key: Pressing this key will rewind the tape.
- ▶▶ key: Pressing this key will advance the tape.
- ▶▶ key: Pressing this key will advance the tape.
- REC/PAUSE and STOP keys: Are identical to the REC/PAUSE and STOP button on the deck.
- REC MUTE key: Operates the recording MUTE function of the MUTE/SEARCH button on the deck.

Note

With some tape decks, the ◀◀ key and ▶▶ key function in the same manner as the SEARCH (◀◀▶▶) key in the play mode.

6 SEARCH (◀◀▶▶) keys

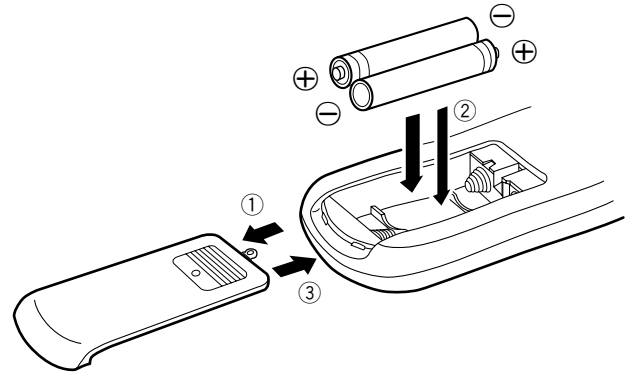
These keys are available for decks with selection search function. For search operation with the remote control transmitter, use the SEARCH keys on the remote control transmitter. By pressing ▶▶ key, the tape will advance to the beginning of the next selection and begin play. By pressing ◀◀ key, the tape will rewind to the beginning of the current selection and begin play.

Note

With the auto reverse tape deck, the SEARCH (◀◀▶▶) keys function in the opposite way according to the tape running direction.

BATTERY INSTALLATION

- ① Press the top portion of the battery compartment lid, at the same time, slide the lid in the direction of the arrow.
- ② Install the batteries (size "AA", R6, UM-3) with correct polarity. Follow the diagram in the compartment.
- ③ Slide the lid in the direction of the arrow until it clicks.



BATTERY REPLACEMENT

When the operating distance of the remote control noticeably decreases, the batteries are exhausted. Immediately replace the batteries with new ones.

- Do not use an old battery together with a new one.
- Install the same type of batteries at the same time. Do not use different kinds of batteries (carbon, alkaline, Ni-Cd, etc.) at the same time even though they are the same shape.
- There are two kinds of batteries in the market: rechargeable and non-rechargeable. Read the caution labels on the battery carefully.

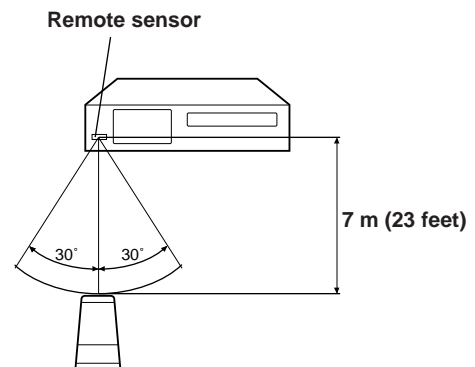
BATTERY SAFETY

Incorrect use of the battery can cause leakage or explosion. Proper handling and use of batteries are as follows:

- When the remote control will not be used for an extended period of time, remove the batteries.
- Never disassemble, heat or throw a battery into a fire.
- Do not connect (short circuit) the (+) and (-) poles of a battery with a piece of wire, metal, etc. In case of leakage, thoroughly wipe off all the electrolyte from the battery compartment and install new batteries.

REMOTE CONTROL OPERATION RANGE

The remote control transmitter uses infrared light to control the unit. Therefore, to function properly, there must be a clear, unobstructed path between the transmitter and the sensor on the deck. The normal operating range is about 7 meters (23 feet) and within 30 degrees perpendicular to the front panel.



Note

Be careful not to expose the infrared signal receptor to direct sunlight or strong light. If strong light is applied, the remote control transmitter may not function or may be difficult to operate.